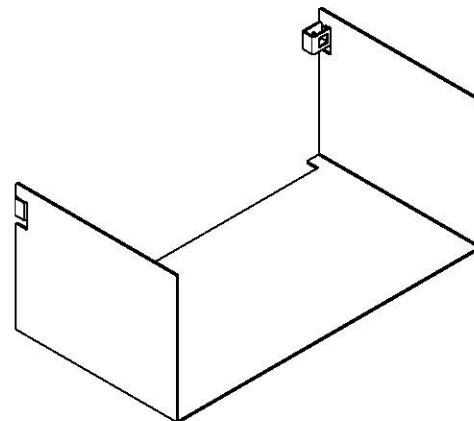


MONI



Product Details

MONI 20

Material: 2 mm steel plate
Finishes: Varnished / Coated
Dimensions: 38 x 20 x 16 cm.
Weight (per unit): 2,15 Kg-4,74 lb
Weight limits: 37 kg-81,60 lb

MONI 25

Material: 2 mm steel plate
Finishes: Varnished / Coated
Dimensions: 38 x 25 x 16 cm.
Weight (per unit): 2,70 Kg-5,95 lb
Weight limits: 37 kg-81,60 lb

MONI 30

Material: 2 mm steel plate
Finishes: Varnished / Coated
Dimensions: 38 x 30 x 16 cm.
Weight (per unit): 3,25 Kg-7,16 lb
Weight limits: 37 kg-81,60 lb

Warning

Read each step carefully before beginning assembly.

This instruction booklet contains important SAFETY information about the product.

The wall anchors included can be adapted to different types of walls to support the weight indicated. If your wall consists of drywall, the weight supported by the wall anchors equal to 22 lbs. We recommend the use of metal umbrella wall anchors to withstand greater loads.

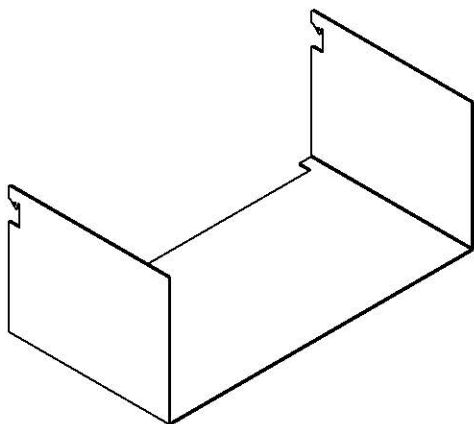
For more information access www.objects.es

Maintenance instructions

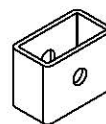
Wipe the surface with a soft dry cloth.

Do NOT use any cleaner containing acids, ammonia, or abrasives.

components



A. MONI (20-25-30)
2 units



B. Double support
4 units



C. Allen screw black
4 units



D. Fischer plastic wall plug
4 units

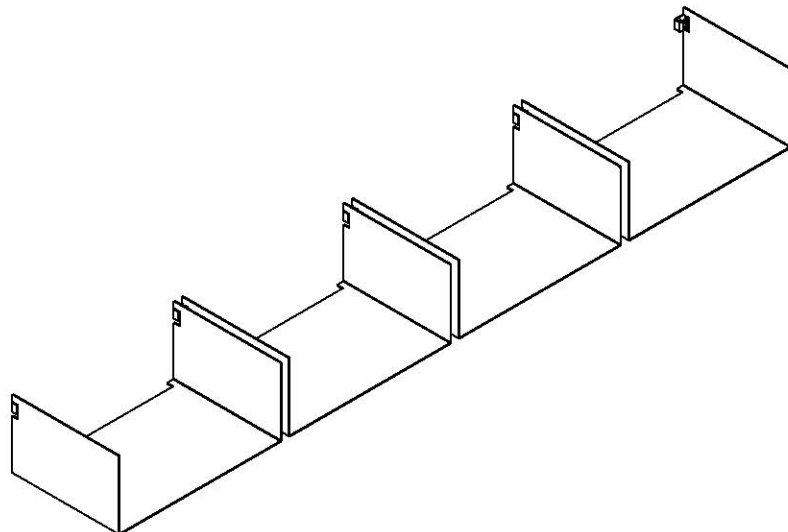
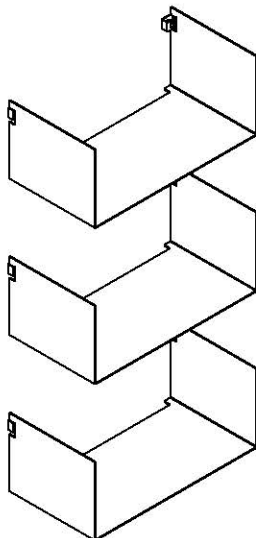


E. ALLEN key 3
1 units

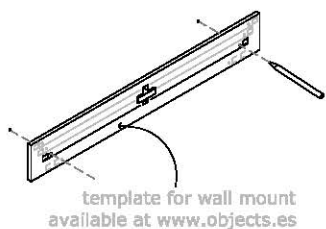
instructions

1

Find your design



2 Mark fixing points. Horizontal arrangement.



-For end elements in
horizontal arrangement

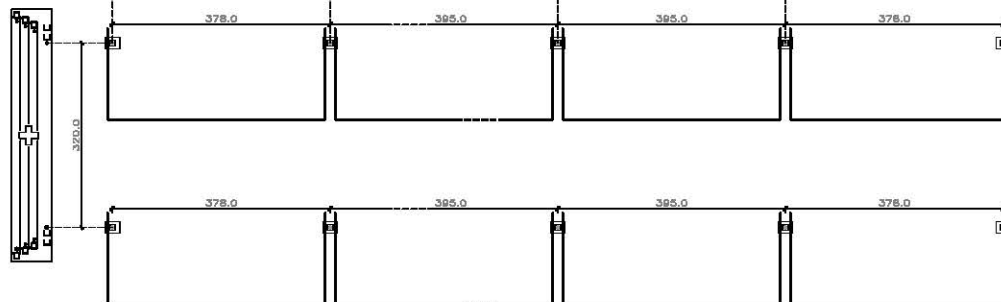
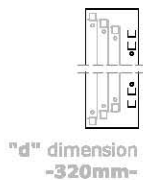
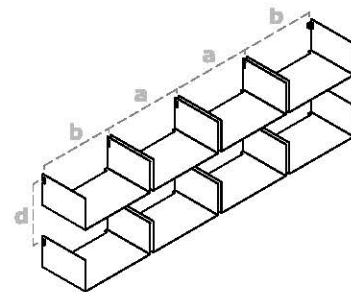


"b" dimension -378mm-

- For central elements in
horizontal arrangement

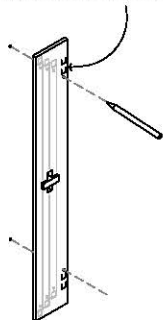


"a" dimension -395mm-



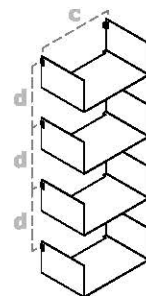
3 Mark fixing points. Vertical arrangement.

template for wall mount
available at www.objects.es

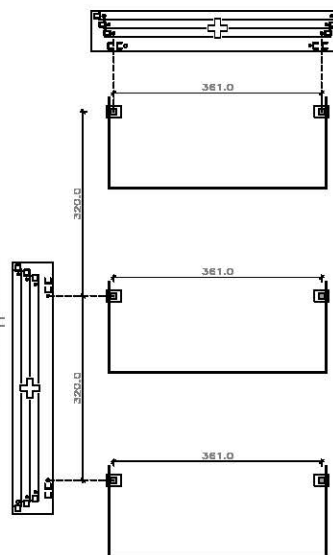


-For arrangements with
no extension

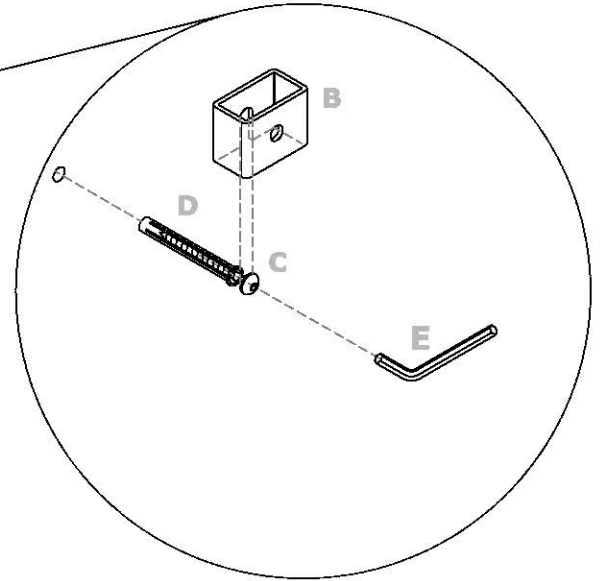
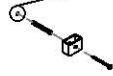
"c" dimension -361mm-



"d" dimension
-320mm-



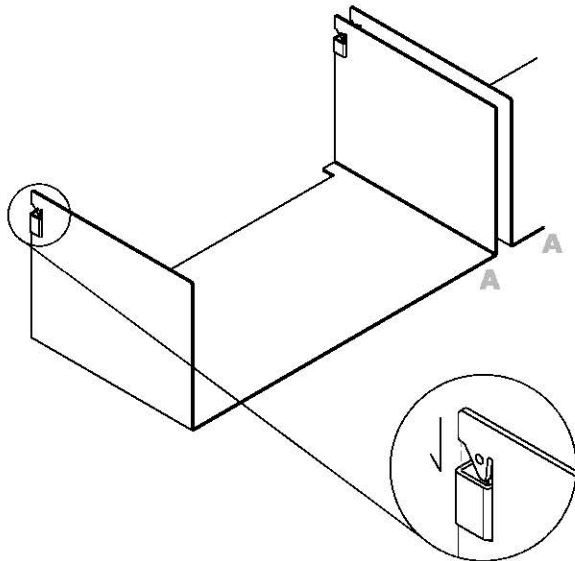
4 Fix wall supports



- Fix supports (D) to wall, following the marked fix points as shown in drawing above.

- For walls constructed of drywall, we recommend the use of umbrella wall anchor kits . Consult www.objects.es

5 Fit flanges into support



6 Press down firmly to secure shelf to supports

