

Product Details

Supports (5 units)

- Material: Solid Beech Wood
- Dimensions: 4.2x27x23
- Finish: Varnished

Shelves (4 units)

- Material: 3mm steel plate
- Dimensions: Shelf A (1unit): 35x27cm
- Shelf B (1unit): 55x27cm
- Shelf C (2units): 75x27cm
- Finish: Dark-grey coated

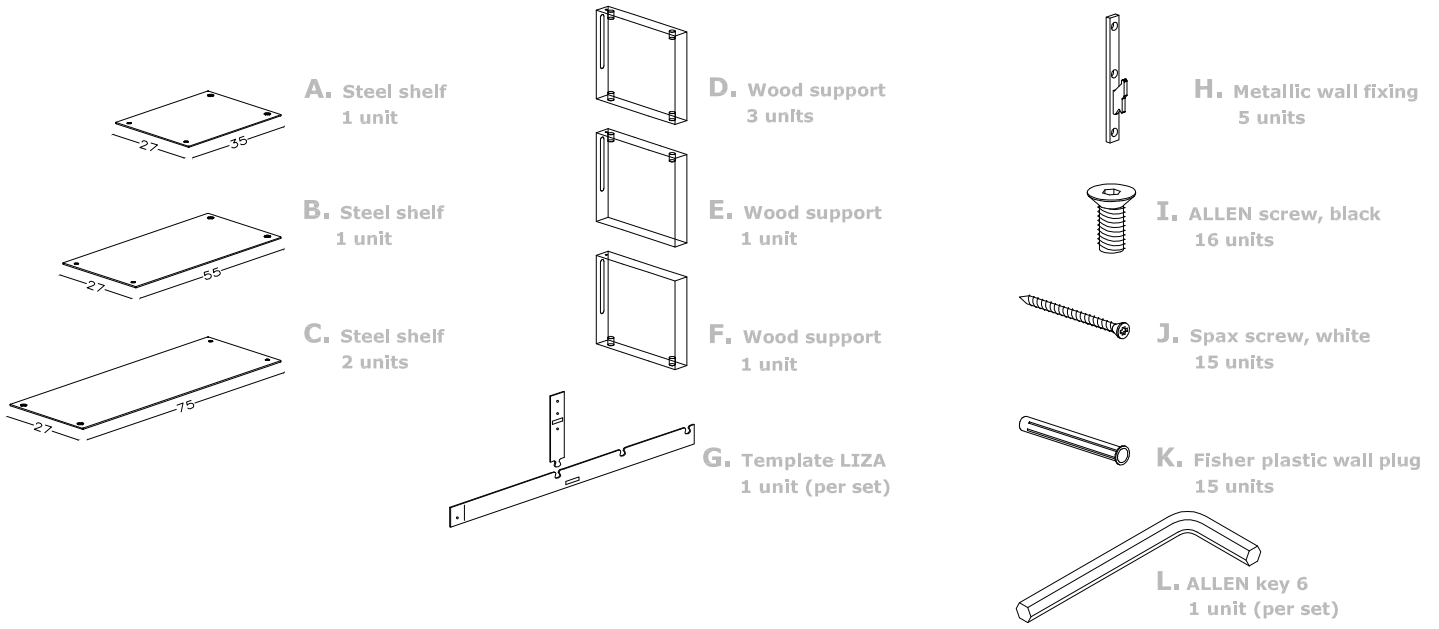
Weight (whole set): 25kg.-55,11 lb

Warning

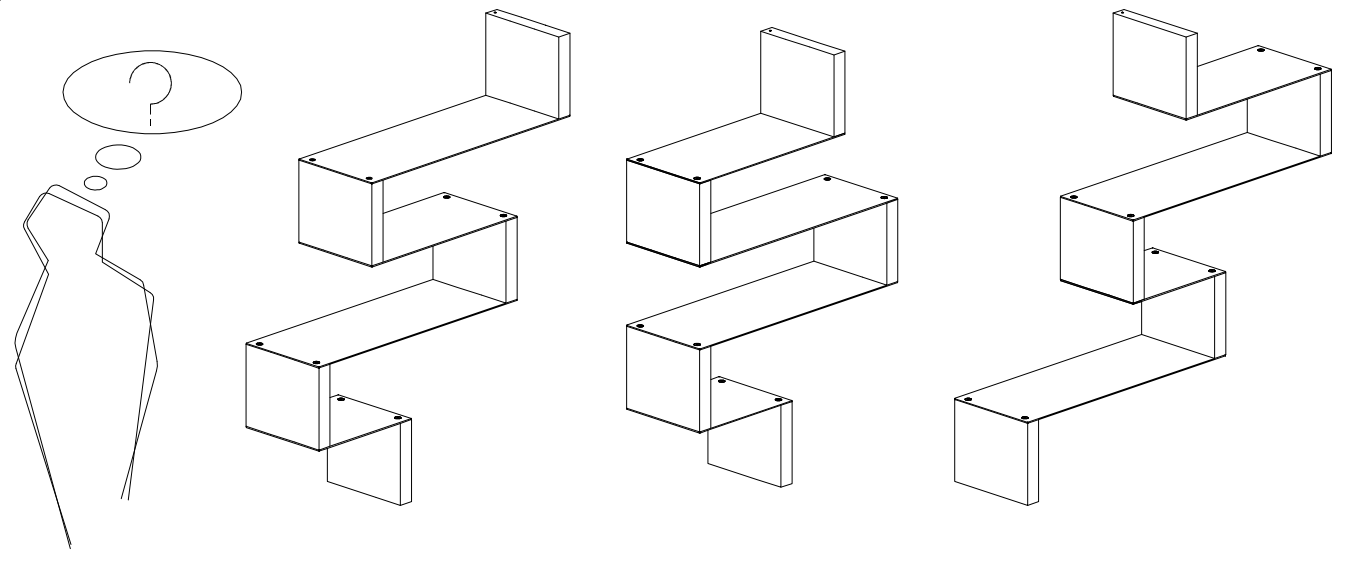
Read each step carefully before beginning assembly.
This instructions booklet contains important SAFETY information.
You can be seriously injured if you don't follow instructions.
For more information access www.objects.es

Maintenance instructions

Wipe the surface with a soft dry cloth.
Do NOT use any cleaner containing acids, ammonia or abrasives.

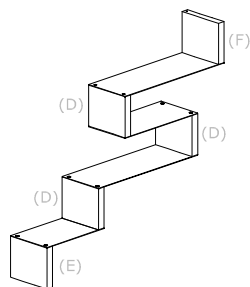


1 Find your design

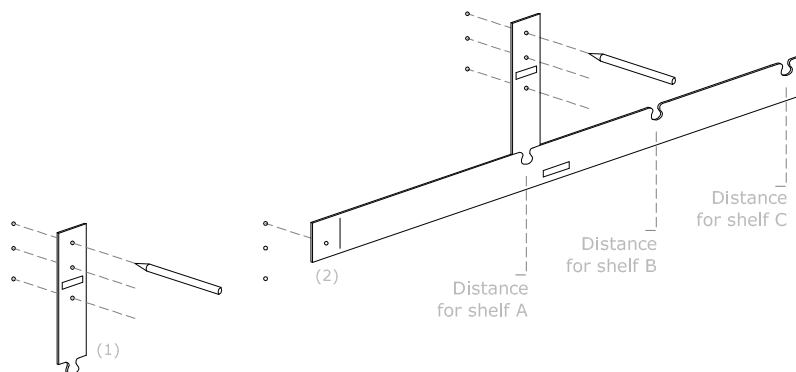


2 Mark fixing points with template (G)

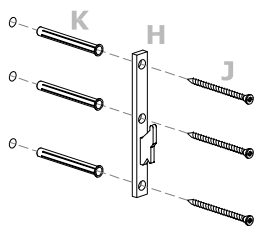
Model sample



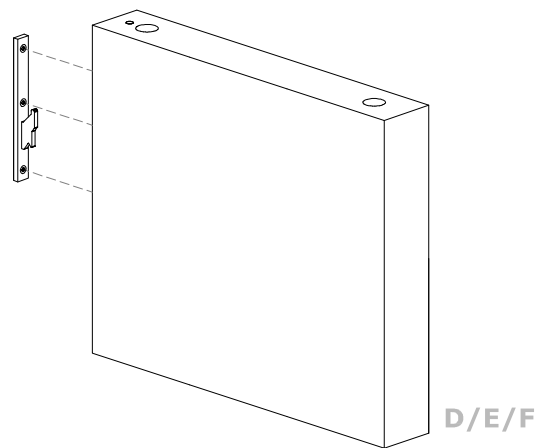
- Start by LOWER support (E).
- Mark three first points with template (1) reference checking horizontal level.
- Put template point (2) on the top point of the three last marked. Mark next points following the design layout chosen.
- Repeat the same procedure till design end.

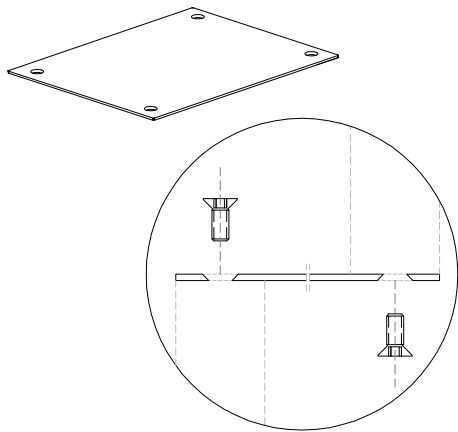


3 Instal fixing supports

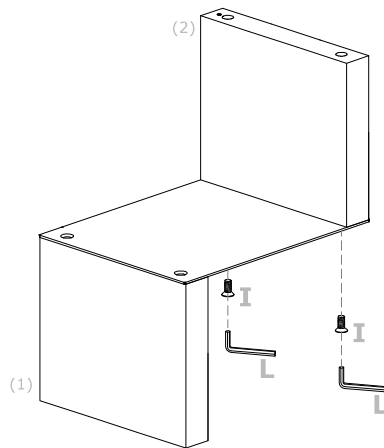


- On marked points install wall fixings (H)
- Fix then wood supports on wall fixing.
- WARNING. Provided plastic wall plugs are to be used for brick walls, they can not be used for plaster board walls.

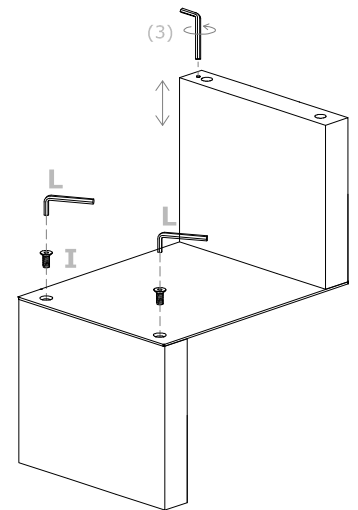


4 Screw on shelves

-Identify for each steel plate top diameter of counter sunk hole in order to introduce each bolt correctly.



-We recommend to rest steel shelf into LOWER support (1) and first screw on shelf to TOP support (2)
-Use ALLEN 6 key (L) to screw on shelf



-Once screwed to TOP support screw on steel shelf to LOWER support.
-Once the steel shelf fixed, wood support position can be adjusted with ALLEN key (3)
-Repeat procedure for next shelves.

5 Mounted shelf