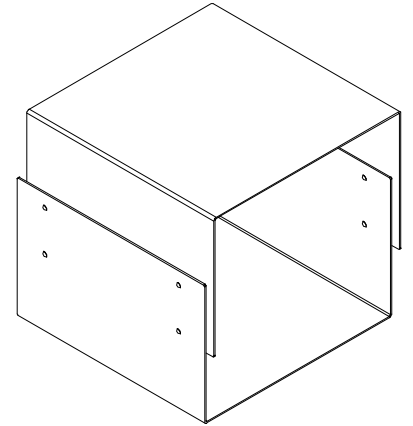


NIMO



Product Details

Material: 2.5mm steel plate

Dimensions: 36.5 x 35 x 32.5cm.

Finishes: Coated in black and white

Weight (whole set): 10.6 kg-23,36 lb

Weight limit: 80kg-176,36 lb

Warning

Read each step carefully before beginning assembly.

This instructions booklet contains important SAFETY information.

You can be seriously injured if you don't follow instructions.

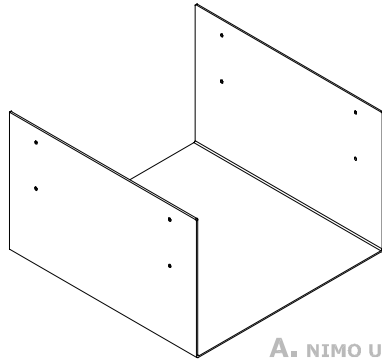
For more information access www.objects.es

Maintenance instructions

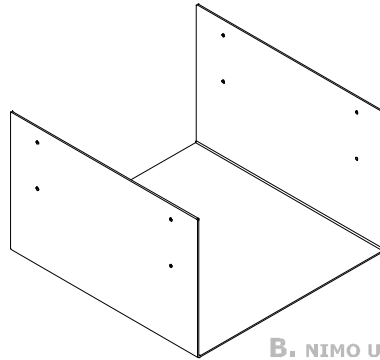
Wipe the surface with a soft dry cloth.

Do NOT use any cleaner containing acids, ammonia or abrasives.

components



A. NIMO Ubox white
1 unit



B. NIMO Ubox black
1 unit



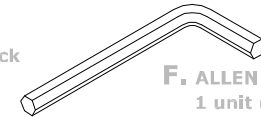
C. Sleeve black
8 units



D. ALLEN screw black
16 units



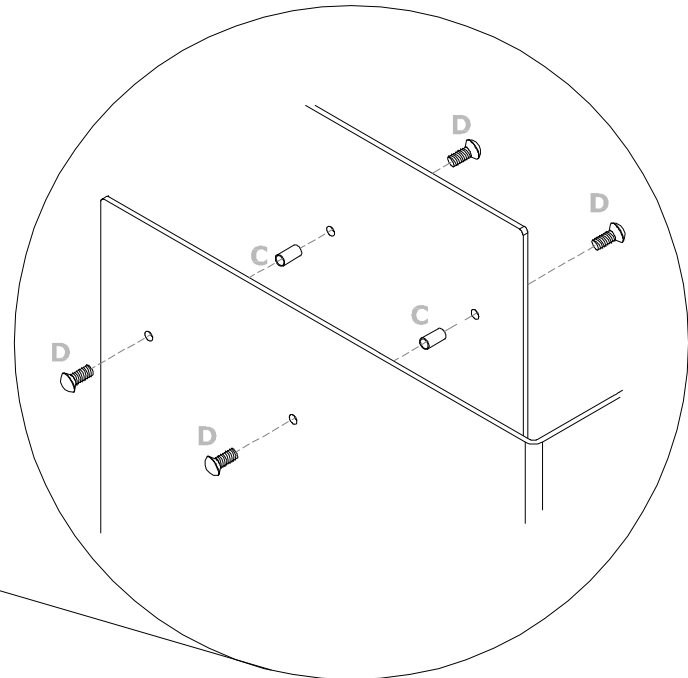
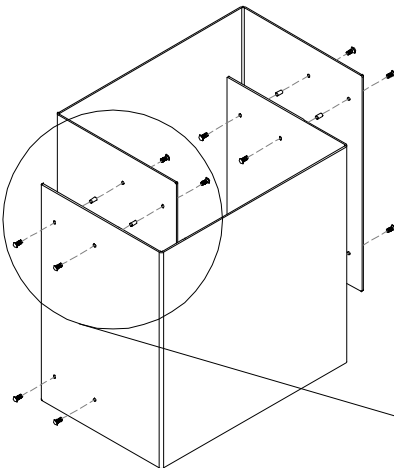
E. Felt protector pads
4 units



F. ALLEN 3 key
1 unit (per set)

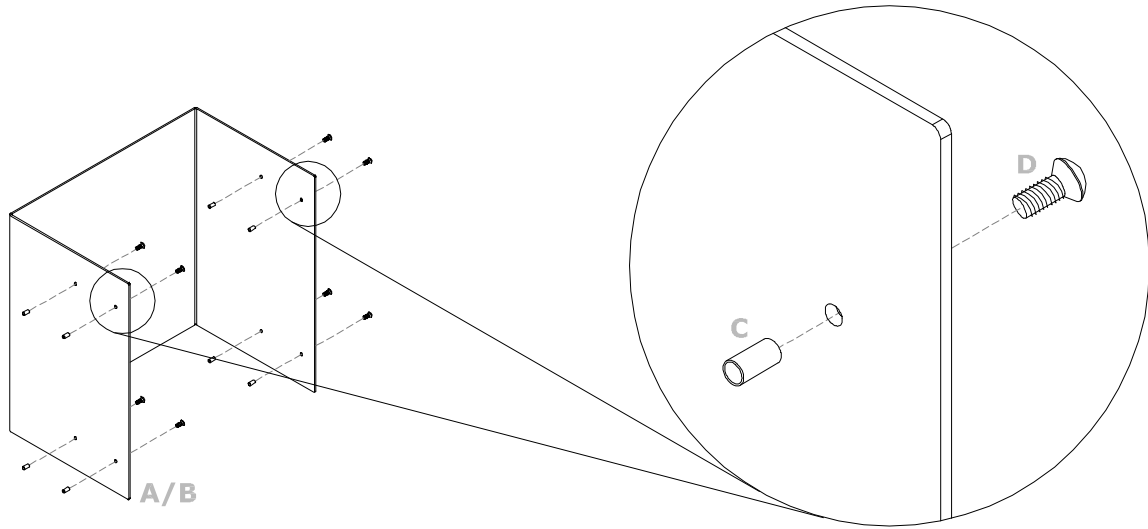
instructions

1 Assembly diagram



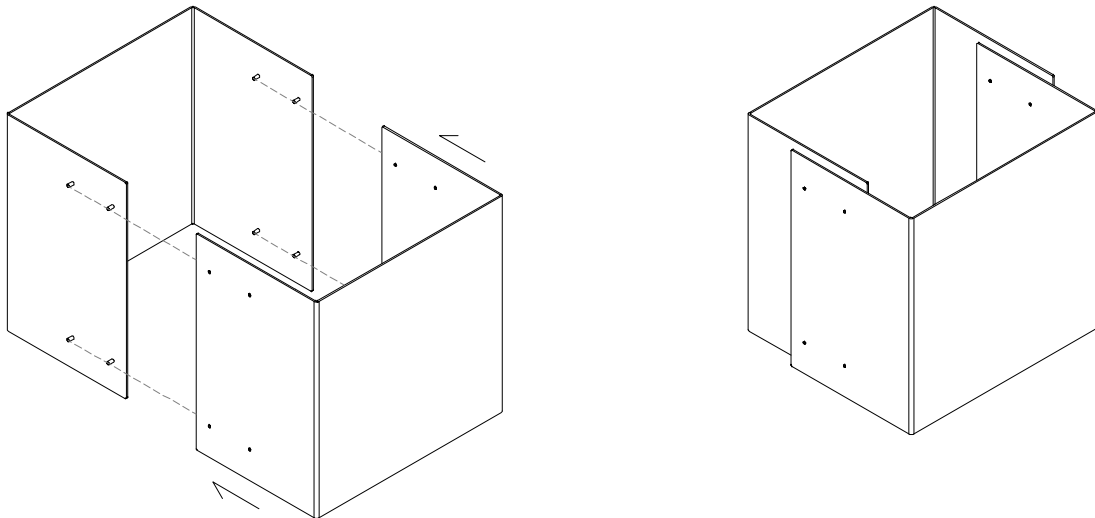
- For easier assembly install components in a vertical position as shown in drawing.

2 Fix bolts in one Ubox

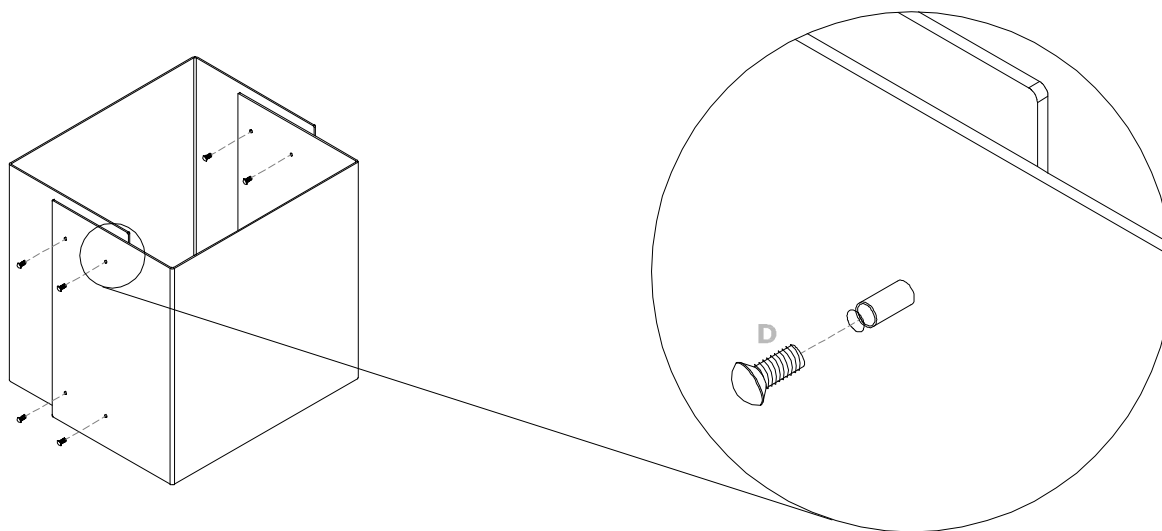


WARNING: For this step bolts should be installed in the same direction.

3 Fit opposite Ubox



4 Atornillar por el lado opuesto



5 Pegar topos de fieltro y colocar NIMO horizontalmente

