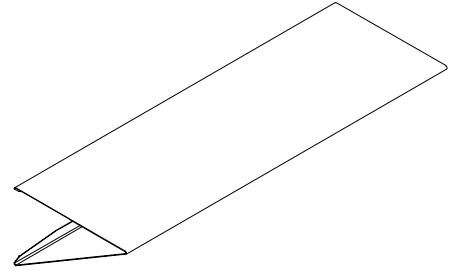


SIRAP L



Product Details

SIRAP L100

Material: 1.5 mm steel plate

Finish: White coated
Dark grey coated

Dimensions: 98 x 30 x 21 cm.

Weight (per unit): 8,35 kg-17,55 lb

Weight limit: 80 kg-176,35 lb

Warning

Read each step carefully before beginning assembly.

This instruction booklet contains important SAFETY information.

Verify the flatness of the wall along the entire length on which you plan to place shelves SIRAP L.

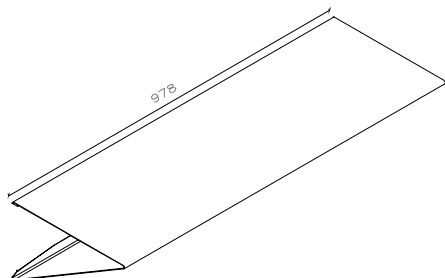
The wall anchors included can be adapted to different types of walls to support the weight indicated. If your wall consists of drywall, the weight supported by the wall anchors equal to 22 lbs. We recommend the use of metal umbrella wall anchors to withstand greater loads.

For more information access www.objects.es

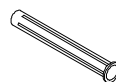
Maintenance instructions

Wipe the surface with a soft dry cloth.

Do NOT use any cleaner containing acids, ammonia or abrasives.



A. SIRAP L100
1 unit



B. Fischer plastic wall plug Ø8mm
6 units



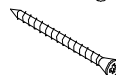
C. Washers
12 units



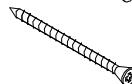
D. Upper anchors
4 units



E. Lower anchors
2 unidades

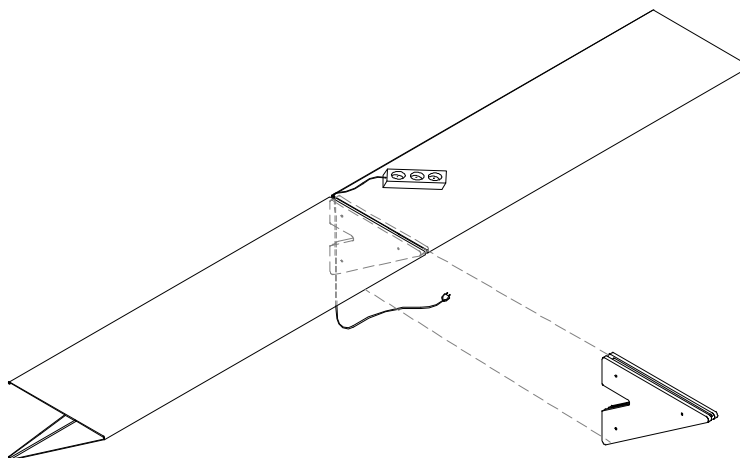
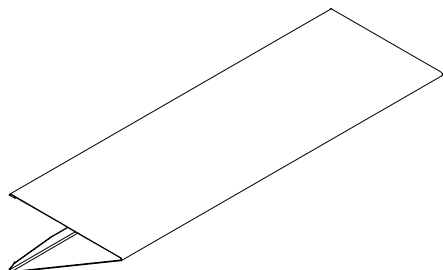


F. 50mm Screws
4 units



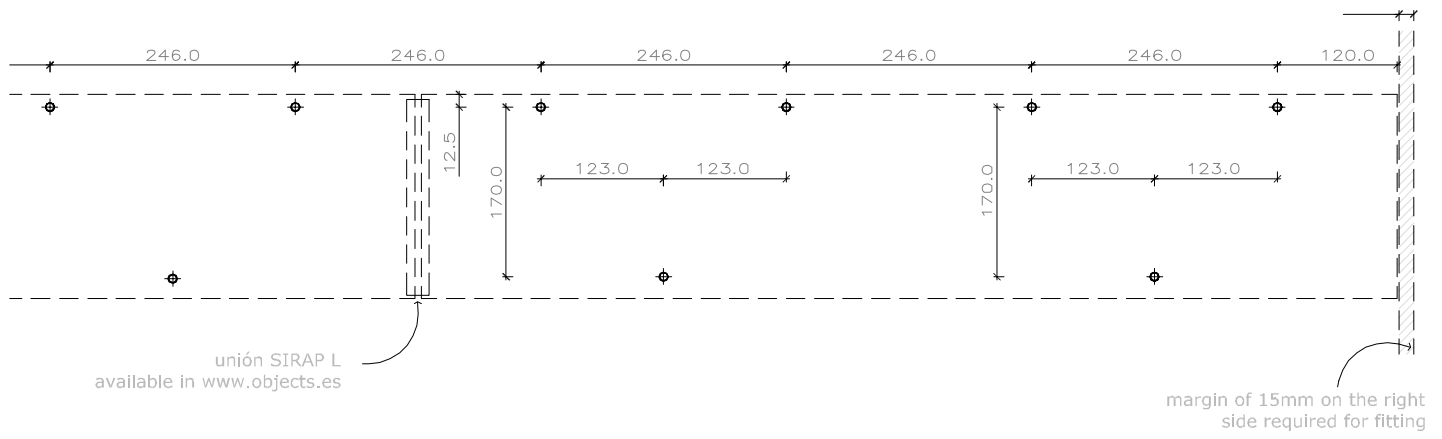
G. 60mm Screws
2 units

1 Find your design

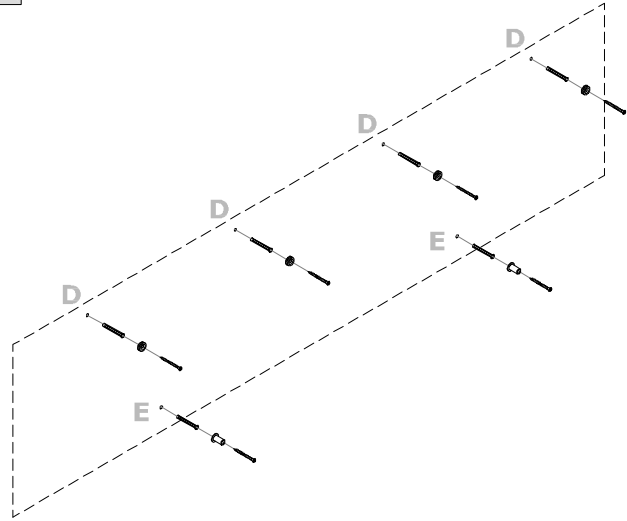


- Accessory Unión SIRAP 100. Permits the passage of cables.
Sold separately at -www.objects.es-

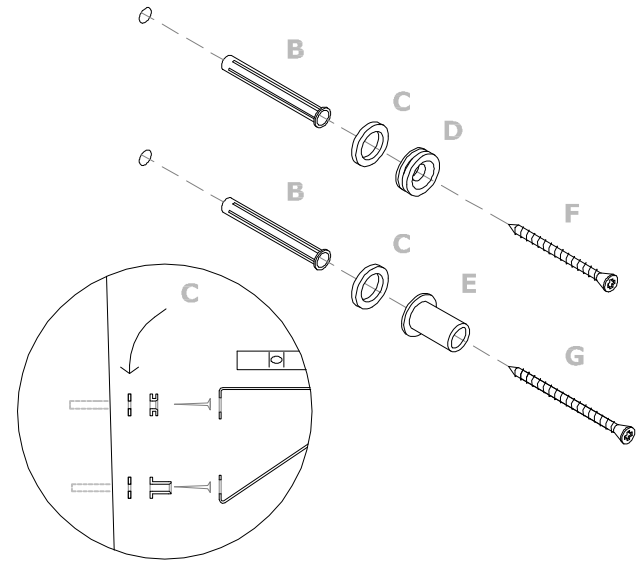
2 Mark fixing points according to model and position



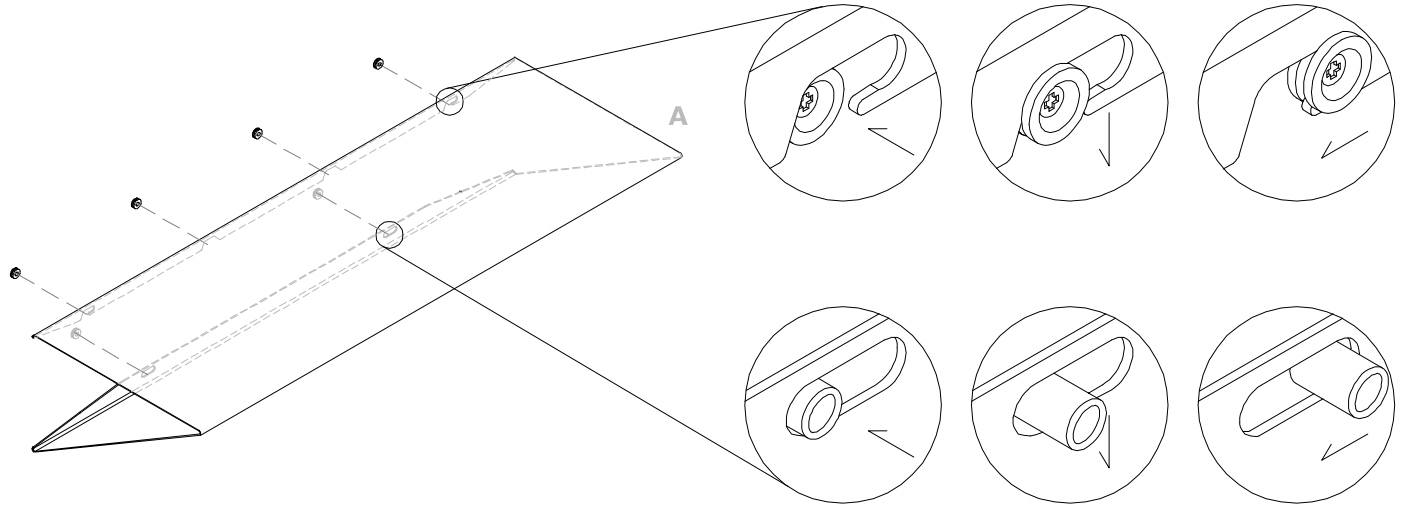
3 Fix fixings



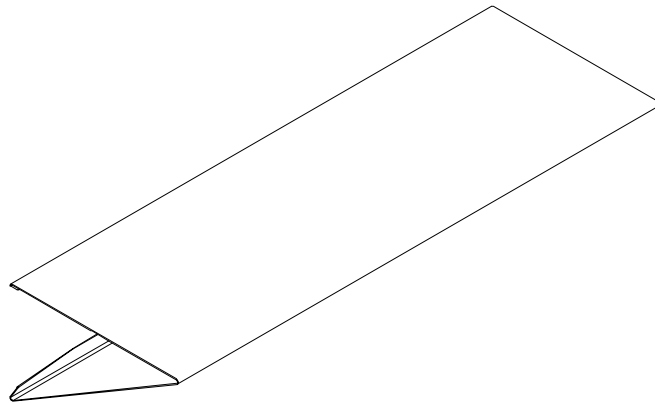
- Install anchors D and E on the marked points according to the chosen design.

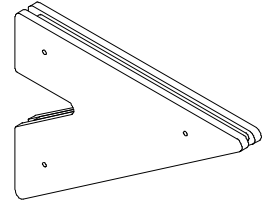


- Correct flatness issues by entering the wall washers C between the wall and the anchors D and E.

4 Install

- Align shelf component in wall fixings (1) and clip them as shown in drawings (2) and then shift to the left (3).

5 Final assembly



SIRAP L - UNION -

Product Details

Material: Black MDF 8 mm.

Dimensions: 28.5 x 20 x 2.5 cm.

Finish: Natural

Weight (per unit): 0.48 kg-1,05 lb

Warning

Read each step carefully before beginning assembly.

This instructions booklet contains important SAFETY information.

You can be seriously injured if you don't follow instructions.

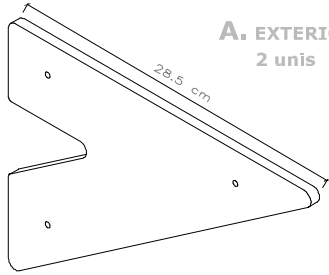
For more information access www.objects.es

Maintenance instructions

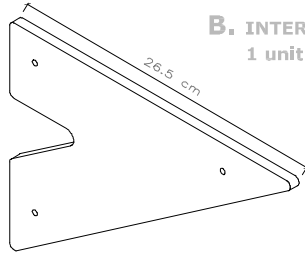
Wipe the surface with a soft dry cloth.

Do NOT use any cleaner containing acids, ammonia or abrasives.

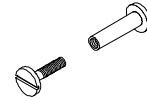
components



A. EXTERIOR ELEMENT
2 units



B. INTERIOR ELEMENT
1 unit



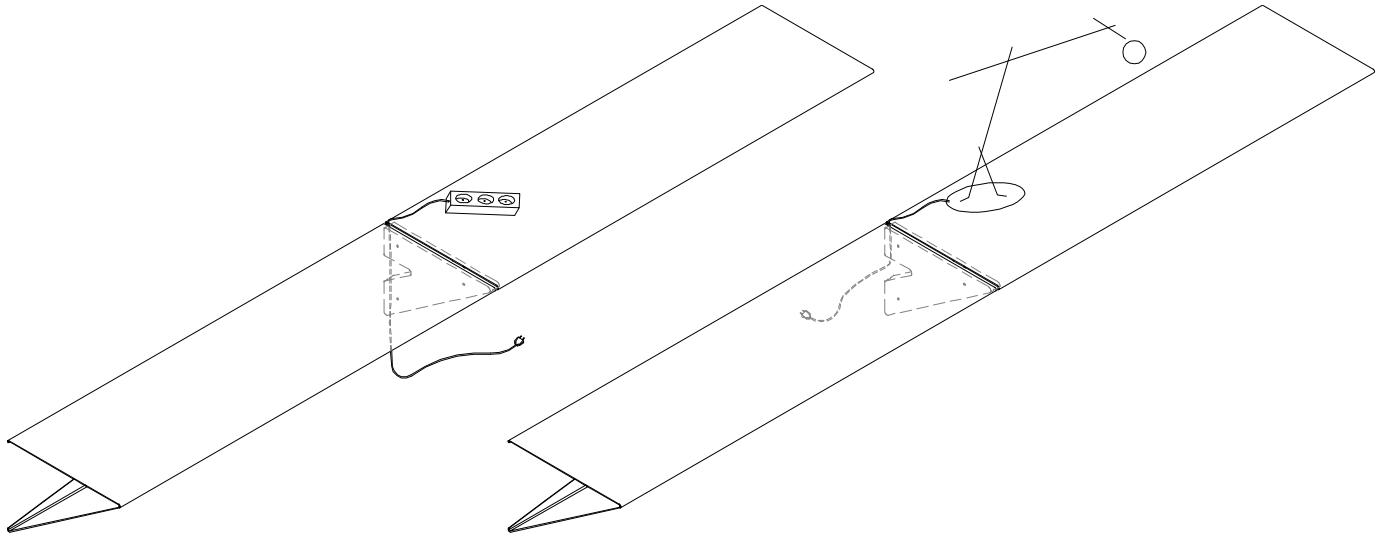
C. Conector
3 units



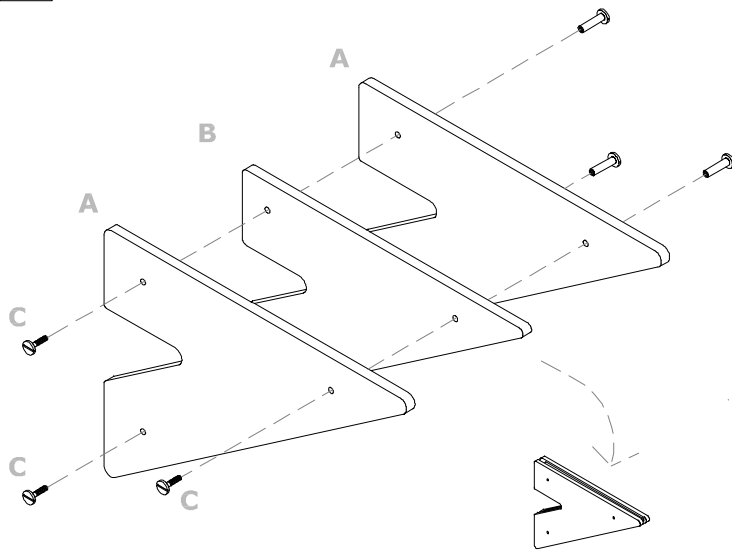
D. Bumper sticker
4 units

instructions

1 Find your design

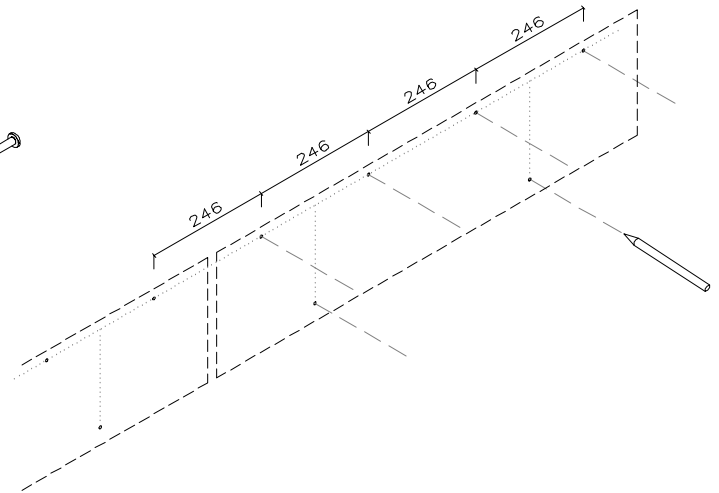


2 Join connection elements



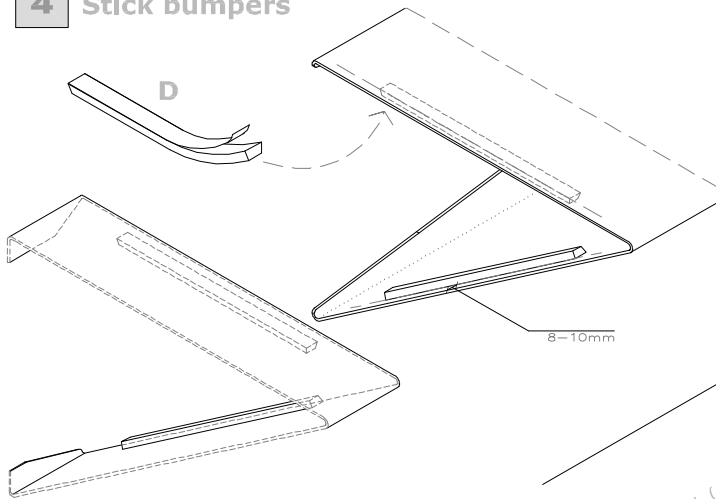
- Insert and screw connectors to link the three elements of the union.

3 Place successive anchors



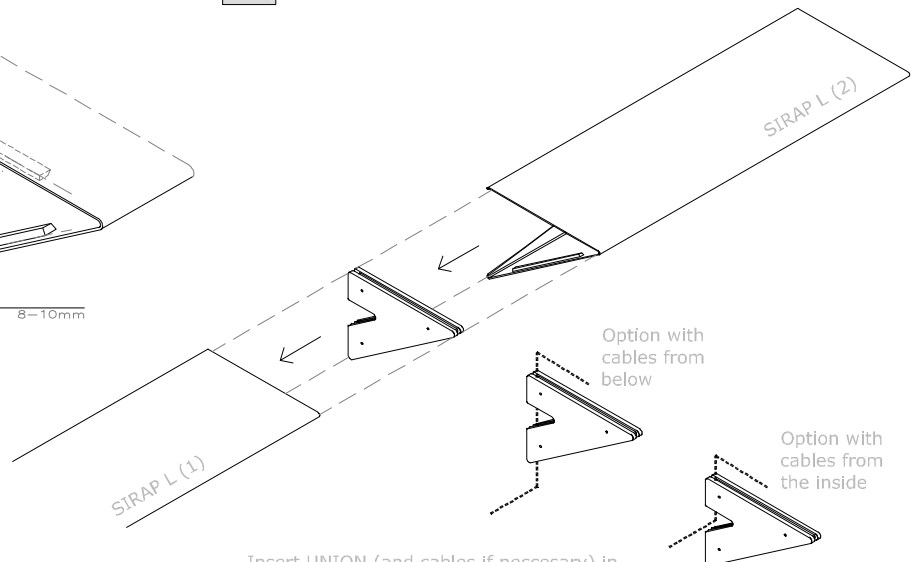
- Mark 6 points for each SIRAP L shelf according to the indicated distances and install anchors.

4 Stick bumpers



- Stick adhesives bumpers 8-10mm from the edge on both SIRAP.

5 Install UNION and SIRAP L



- Insert UNION (and cables if necessary) in SIRAP L (1) and consecutively hang SIRAP L (2)